

[LANCIA](#) / [YPSILON](#) / [1.3 JTD](#) / [PROCEDURES](#) / [70 FITTINGS](#) / [7005 PASSENGER COMPARTMENT FRONT SIDE DOORS](#)
 / [7005M FRONT ELECTRIC WINDOWS](#) / 7005M11 DRIVER'S FRONT DOOR ELECTRIC WINDOW CONTROL SWITCH - R.R.

2429510 - 7005M11 Driver's front door electric window control SWITCH - R.R.

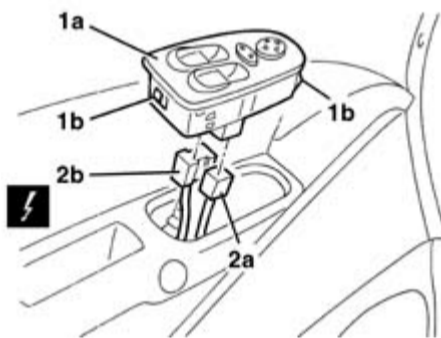
 Removing ([Refitting](#) )



1. Release the switch unit (1a), releasing the retainers (1b).
2. Disconnect the electrical connections (2a (2b)).

 Name	Connector
2a Driver's side front door electric window controls	H44B

 Name	Connector
2b Driver's side front door electric window controls	H44A

3. Recover the switch unit.



 Refitting ([Removing](#) )

- Check that the switch unit is undamaged.
- Connect the electrical connections .
- Position the switch unit and attach the retainers.
- Check that the electric window and the mirrors are working properly.